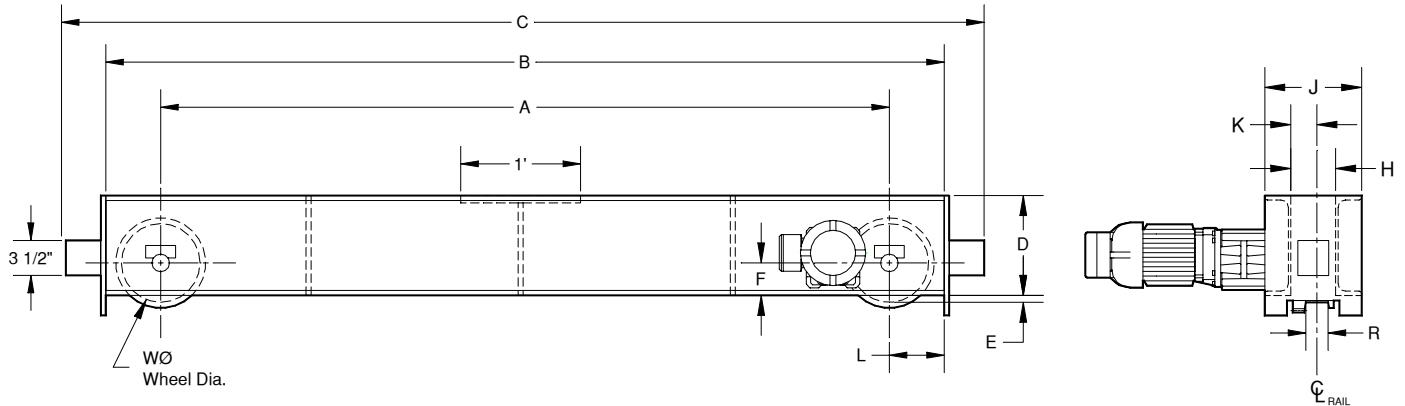


Top Running Motorised End Trucks



Capacity	Span	A	B	C	D	E	F	H	J	K	L	R	W	Weight (lbs)
2 Tons	< 30'	5'-0"	6'-0"	6'-8"	8	3/4	1 5/8	4	8 1/2	2 5/16	6	2 1/8	4 3/4	510
	30' - 40'	6'-0"	7'-0"	7'-8"	8	3/4	1 5/8	4	8 1/2	2 5/16	6	2 1/8	4 3/4	530
	40' - 50'	7'-0"	8'-0"	8'-8"	8	3/4	1 5/8	4	8 1/2	2 5/16	6	2 1/8	4 3/4	545
	50' - 60'	10'-0"	11'-0"	11'-8"	8	3/4	1 5/8	4	8 1/2	2 5/16	6	2 1/8	4 3/4	696
3 Tons	< 30'	5'-0"	6'-0"	6'-8"	8	3/4	1 5/8	4	8 1/2	2 5/16	6	2 1/8	4 3/4	601
	30' - 40'	6'-0"	7'-0"	7'-8"	8	3/4	1 5/8	4	8 1/2	2 5/16	6	2 1/8	4 3/4	636
	40' - 50'	7'-0"	8'-0"	8'-8"	8	3/4	1 5/8	4	8 1/2	2 5/16	6	2 1/8	4 3/4	640
	50' - 60'	10'-0"	11'-0"	11'-8"	10	11/16	3 1/4	4 1/2	9 11/16	2 5/8	6	2 1/4	7 7/8	1098
5 Tons	< 30'	5'-0"	6'-0"	6'-8"	8	3/4	1 5/8	4	8 1/2	2 5/16	6	2 1/8	4 3/4	568
	30' - 40'	6'-0"	7'-0"	7'-8"	10	11/16	3 1/4	4 1/2	9 11/16	2 5/8	6	2 1/4	7 7/8	918
	40' - 50'	7'-0"	8'-0"	8'-8"	10	11/16	3 1/4	4 1/2	9 11/16	2 5/8	6	2 1/4	7 7/8	981
	50' - 60'	10'-0"	11'-0"	11'-8"	10	11/16	3 1/4	4 1/2	9 11/16	2 5/8	6	2 1/4	7 7/8	1103
7 1/2 Tons	< 30'	5'-0"	6'-0"	6'-8"	10	11/16	3 1/4	4 1/2	9 11/16	2 5/8	6	2 1/4	7 7/8	857
	30' - 40'	6'-0"	7'-0"	7'-8"	10	11/16	3 1/4	4 1/2	9 11/16	2 5/8	6	2 1/4	7 7/8	920
	40' - 50'	7'-0"	8'-0"	8'-8"	10	11/16	3 1/4	4 1/2	9 11/16	2 5/8	6	2 1/4	7 7/8	991
	50' - 60'	10'-0"	11'-0"	11'-8"	12	1 1/16	5 1/4	6	11 7/8	3 11/16	9	2 3/4	12 5/8	1937
10 Tons	< 30'	5'-0"	6'-0"	6'-8"	10	11/16	3 1/4	4 1/2	9 11/16	2 5/8	6	2 1/4	7 7/8	865
	30' - 40'	6'-0"	7'-0"	7'-8"	10	11/16	3 1/4	4 1/2	9 11/16	2 5/8	6	2 1/4	7 7/8	930
	40' - 50'	7'-0"	8'-0"	8'-8"	10	11/16	3 1/4	4 1/2	9 11/16	2 5/8	6	2 1/4	7 7/8	998
	50' - 60'	10'-0"	11'-0"	11'-8"	12	1 1/16	5 1/4	6	11 7/8	3 11/16	9	2 3/4	12 5/8	1937
15 Tons	< 30'	5'-0"	6'-0"	6'-8"	12	1 1/16	5 1/4	6	11 7/8	3 11/16	9	2 3/4	12 5/8	1621
	30' - 40'	6'-0"	7'-0"	7'-8"	12	1 1/16	5 1/4	6	11 7/8	3 11/16	9	2 3/4	12 5/8	1781
	40' - 50'	7'-0"	8'-0"	8'-8"	15	2 5/16	7 1/2	8	14 13/16	4 13/16	1'-2"	3 9/16	19 11/16	3033
	50' - 60'	10'-0"	11'-0"	11'-8"	15	2 5/16	7 1/2	8	14 13/16	4 13/16	1'-2"	3 9/16	19 11/16	3303

For larger capacities and special applications please consult the factory