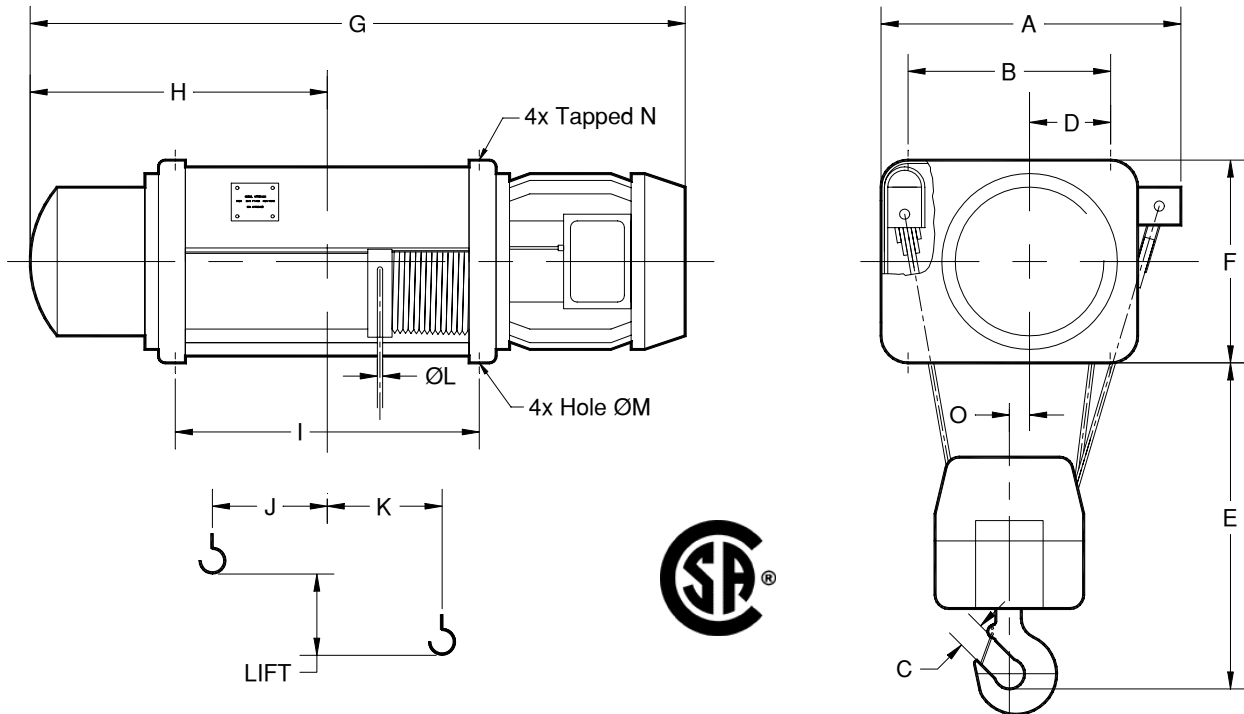


Foot Mount Electric Wire Rope Hoist



Type	A	B	C	D	E	F	G	H	I	J	K	L	M	N	O
MT5543	28.34	12.79	1.96	5.01	20.66	14.37	42.51	18.11	17.36	3.26	0.35	0.39	0.66	M20	0.31
MT5544	28.34	12.79	1.96	5.01	20.66	14.37	50.39	22.04	25.23	7.20	-1.61	0.39	0.66	M20	0.31
MT5553	28.34	12.79	2.20	5.01	22.24	14.37	45.86	19.09	19.33	3.62	0.51	0.47	0.66	M20	0.29
MT5554	28.34	12.79	2.20	5.01	22.24	14.37	54.52	23.42	27.99	7.95	-1.65	0.47	0.66	M20	0.29
MT5563	33.30	15.35	2.79	6.18	30.51	16.92	46.85	19.09	17.83	2.44	1.14	0.59	0.82	M24	0.59
MT5564	33.30	15.35	2.79	6.18	30.51	16.92	55.11	23.22	26.10	5.11	0.51	0.59	0.82	M24	0.59
MT5565	33.30	15.35	2.79	6.18	30.51	16.92	63.38	27.36	34.37	9.29	-1.57	0.59	0.82	M24	0.59
MT5574	38.70	18.70	3.54	7.34	32.48	20.86	58.26	25.98	28.07	4.60	1.41	0.70	0.98	M27	0.88
MT5574	38.70	18.70	3.54	7.34	32.48	20.86	66.73	30.31	36.53	8.81	-0.70	0.70	0.98	M27	0.88

Notes: 1) All dimensions are in inches.

2) All dimensions are subject to change without notice. If clearances are critical, ask for a certified drawing.

Type	Load (tons)	Number Of Falls	Lifting Height (ft)	Lifting Speed (ft/min)	Motor Power (HP)	Weight (lbs)
MT5543M	5	4	20	15 / 3	4.8 / 1.13	756
MT5544M	5	4	28	15 / 3	4.8 / 1.13	818
MT5553M	7	4	20	15 / 3	7.7 / 1.61	805
M5554M	7	4	29	15 / 3	7.7 / 1.61	882
MT5563M	10	4	18	15 / 3	12.9 / 2.74	1323
MT5564M	10	4	28	15 / 3	12.9 / 2.74	1466
MT5565M	10	4	38	15 / 3	12.9 / 2.74	1566
MT5574M	16	4	28	15 / 3	21 / 4.8	2040
MT5575M	16	4	38	15 / 3	21 / 4.8	2171

- Modular, rugged construction for easy service and maintenance
- Meets or exceeds CSA, FEM and DIN standards
- Compact square series design
- Gear unit with planetary drive in oilbath
- Proven electric motor with conical brake
- Upper and lower limit switches